



Global Challenges, Innovative Solutions.

model  
**CFK-1**

CONTAINMENT FILL KIT



The CFK-1 is a portable containment fill station for servicing high pressure backpack cylinders commonly supplied with nitrogen servicing systems.

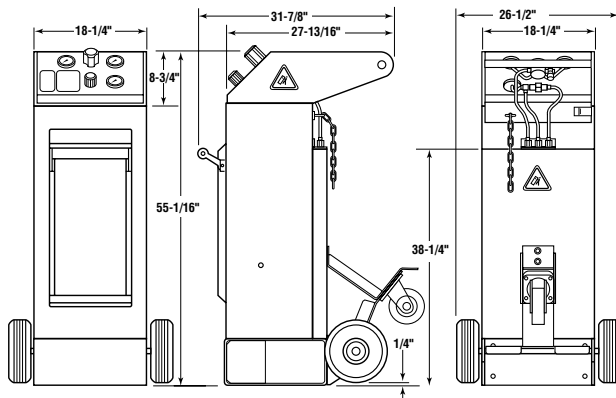
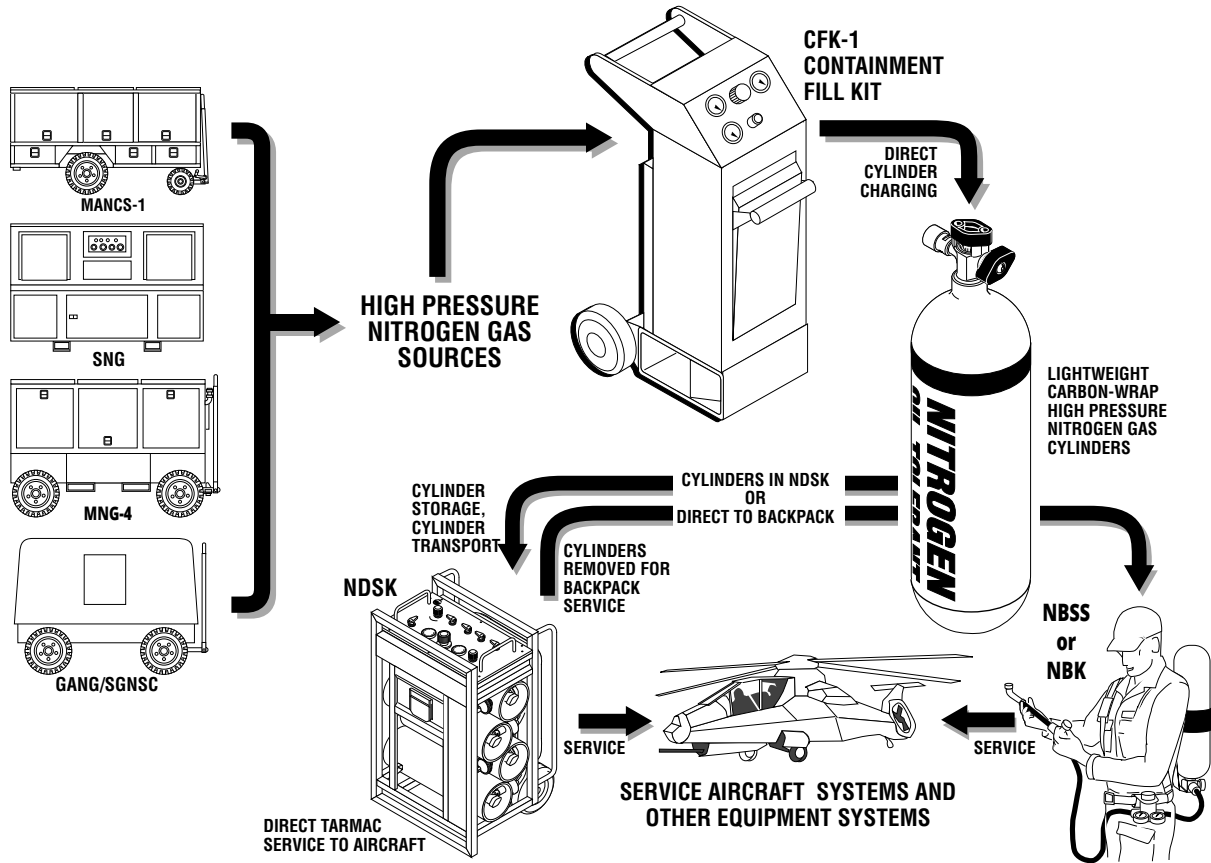
This portable fill kit is designed to provide maintenance personnel with a safe, heavy steel plate blast containment chamber and control panel with a complete set of fill controls.

To accomplish the filling operation the CFK-1 fill kit requires a source of dry clean high pressure nitrogen gas as typically supplied by mobile and/or stationary nitrogen generators found throughout military bases, naval aircraft carriers and power stations worldwide.

**AGILE, INNOVATIVE.**

[www.cvintl.com](http://www.cvintl.com)

**Servicing Systems Include:** The Nitrogen Backpack Servicing System (NBSS-2), the Nitrogen Backpack Service Kits (NBK-4 & NBK-5) and Nitrogen Deployment Sustainment Kit (NDSK-1) along with cylinders found with nitrogen generators including the Mobile Air/Nitrogen Charging Station (MANCS) and Mobile Nitrogen Generator (MNG-4).



## PHYSICAL CHARACTERISTICS

**Part Number: 410800**

- Height ..... 55-1/16 inches
- Depth ..... 31-7/8 inches
- Width (containment structure) ..... 18-1/4 inches
- Width (overall with wheels) ..... 26-1/2 inches
- Weight ..... 530 lbs.

## MODEL CFK-1

