



Global Challenges, Innovative Solutions.

model
CFK-1

CONTAINMENT FILL KIT



The CFK-1 is a portable containment fill station for servicing high pressure backpack cylinders commonly supplied with nitrogen servicing systems.

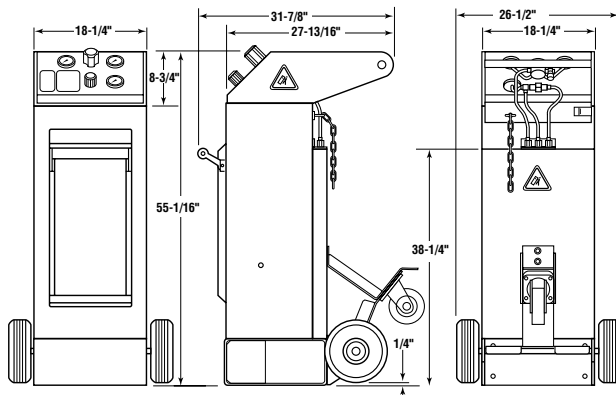
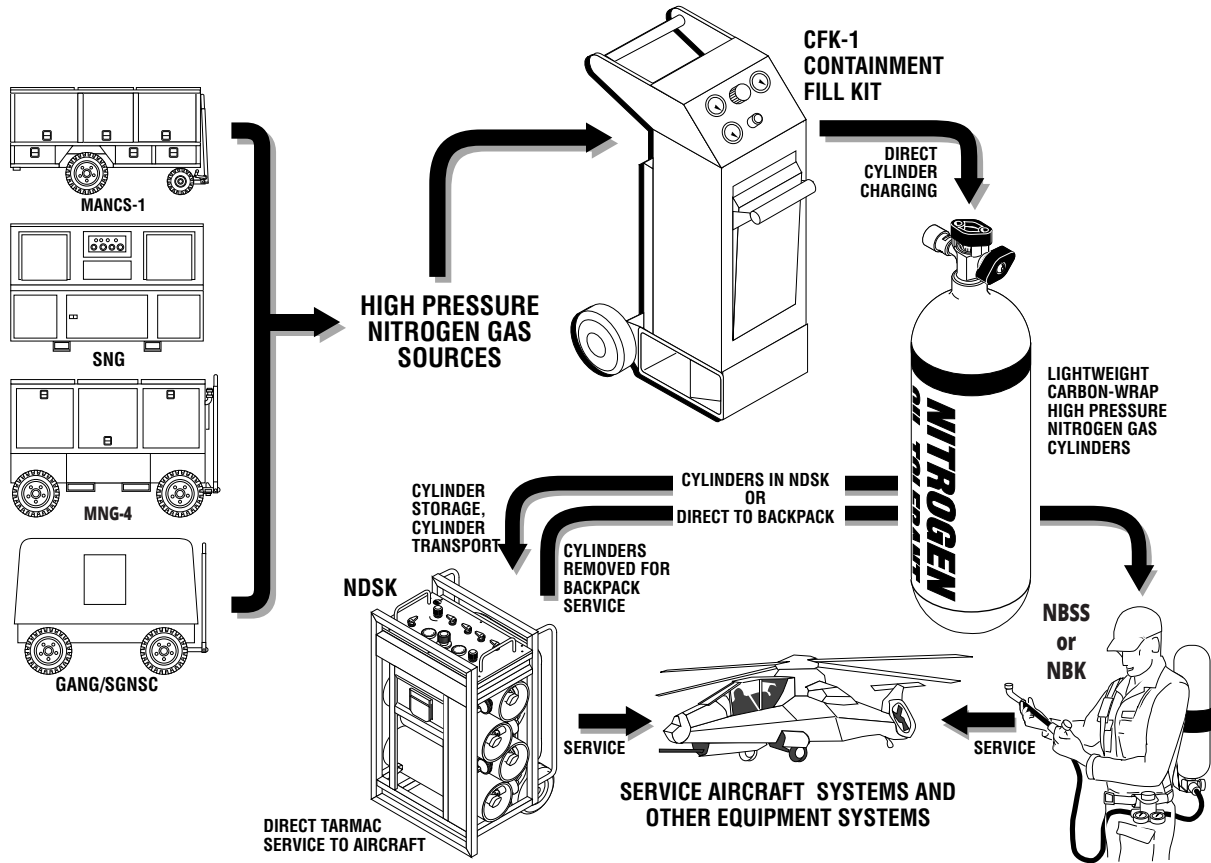
This portable fill kit is designed to provide maintenance personnel with a safe, heavy steel plate blast containment chamber and control panel with a complete set of fill controls.

To accomplish the filling operation the CFK-1 fill kit requires a source of dry clean high pressure nitrogen gas as typically supplied by mobile and/or stationary nitrogen generators found throughout military bases, naval aircraft carriers and power stations worldwide.

AGILE, INNOVATIVE.

www.cvintl.com

Servicing Systems Include: The Nitrogen Backpack Servicing System (NBSS-2), the Nitrogen Backpack Service Kits (NBK-4 & NBK-5) and Nitrogen Deployment Sustainment Kit (NDSK-1) along with cylinders found with nitrogen generators including the Mobile Air/Nitrogen Charging Station (MANCS) and Mobile Nitrogen Generator (MNG-4).



PHYSICAL CHARACTERISTICS

Part Number: 410800

Height	55-1/16 inches
Depth	31-7/8 inches
Width (containment structure)	18-1/4 inches
Width (overall with wheels)	26-1/2 inches
Weight	530 lbs.

MODEL CFK-1